

### Pneumatic Diaphragm Valves PN10/145PSI

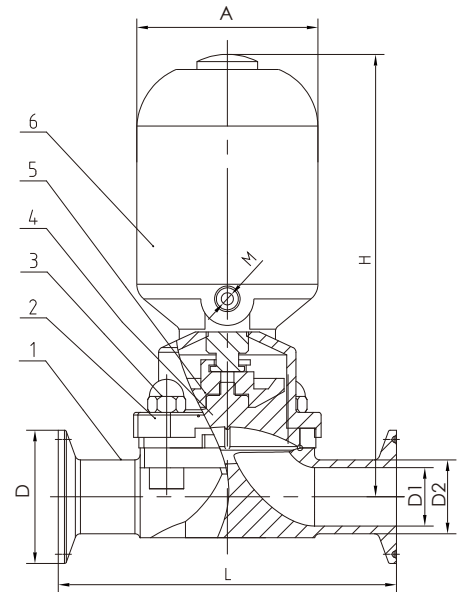
Stainless Steel, Clamp, Position Indicator  
Sealing Material Comply to FDA177.1210/2600  
Dimensions to DIN32676, 3A  
Temperature Range: -20°C ~ 150°C / -4°F ~ 302°F



DV5603-C

Materials		
No.	Part	Specification
1	Body	ANSI 316L
2	Bonnet	ANSI 304/316L
3	Bonnet Nut	ANSI 304
4	Disc	ANSI 304/316L
5	Diaphragm	EPDM, EPDM+PTFE
6	Actuator	ANSI 304

- \* Single or double diaphragms are available.
- \* The control mode can be normally closed, normally open, or double acting.
- T-bodies, tank bottom bodies or multi-channel bodies can be selected on your request.



Dimensions (DIN/3A)						
Size/In	D DIN/3A	D1 DIN/3A	D2 DIN/3A	L DIN/3A	A DIN/3A	H DIN/3A
3/8	34/-	9/-	12/-	108/-	64/-	128/-
1/2	34/25.2	15/9.4	18/12.7	117/108	90.5/48	161/102
3/4	34/50.5	19/15.8	22/19.1	117	90.5/64	153/132
1	50.5/50.5	25/22.1	28/25.4	127	105.5/90.5	205/153
1 1/4	50.5	31/28.5	34/31.8	146	105.5	205
1 1/2	50.5	37/34.8	40/38.1	160	125/105.5	224/205
2	64	49/47.5	52/50.8	190	157/125	265/224
2 1/2	91/77.5	66/60.2	70/63.5	216	190/157	342/272
3	106/91	81/72.9	85/76.2	254/222.25	250/190	390/335

♦Please consult the factory for ISO and other standard sizes such as ASME BPE, BS4825, etc.